



Access Portal PRO

Product specification
CATALOGUE

Sophisticated Access Control and Time and Attendance Monitoring have just been made easier and more accessible than ever before. Everything you need to secure and manage your site – or sites (up to 25 sites).

Simple to work with, yet flexible and expandable, **Access Portal Pro** is a premium Access Control Software Suite from Impro Technologies to complement its 3rd Generation range of access control hardware products.

Access Portal Pro may be configured, operated and maintained over Ethernet – users can be allocated profiles that permit access only to the functions necessary for the tasks they need to perform.

The feature-rich web application is securely accessible via browser. This means that the system is easily accessible via any PC or tablet that has Ethernet or WLAN access to the server.

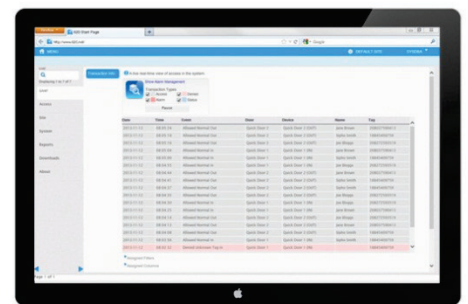
Compatible Access Control Hardware includes the wonderfully versatile black ABS Access Portal **Cluster Modules** (or their *IPS housing installation equivalents*) as well as the legacy iTT/iTRT units - and compatible readers and peripheral hardware.

Standard Features:

- Quick to install, simple to configure
- Time and event triggered actions
- Door mode patterns
- Access Groups
- Programmable holidays
- Tag programming
- Multiple tags per tagholder
- Tag expiry
- Tag suspension facilities
- Anti-passback control
- SQL database
- User customised operator security facilities
- Customisable web reports
- Browser based user interface
- Auto hardware configuration
- IP Controllers
- Web visitor enrolment
- Biometric integration
- Multi-site
- Password protection
- Encrypted communications

Capacity:

- Up to 5 000 Tagholders
- Up to 100 APB Doors per Site
- Up to 25 Sites



Applications

Access control and/or Time and Attendance Monitoring of:

Medium Corporates
Office Parks
Residential Estates
Hospitals
Schools
Parkades
Warehouses

Key Features

Operator Logins

User Name, Password and Profile selection

Operator Profiles

Defining Operator Profiles
Defining Profile-specific filtering

Sites

Configure, + New, Save, Delete

Building Settings

Configure, + New, Save, Delete

Floor Settings

Configure, + New, Save, Delete

Zone Settings (anti pass-back zones)

Configure, + New, Save, Delete

Door Settings

Configure
Create Doors Automatically (On Device Installation)

Readers

Configure, Save, Delete

Reader Profiles

Selection and Configuration

Tags

TYPE Truncation Rules

User Fields

Configuration, + New, Save, Delete

Controller Settings

Scan Network for Controllers/Devices
Configure (Controller name, IP address, Building, Floor, diagnostic reporting)
Zone (select and/or configure) to act on the selected controller
Time Pattern Selection and Configuration
Profile Selection and Configuration
Synchronisation
Find all Controllers by scanning
Replacing a single controller with another

Time and daylight saving options

This is linked to the host Server Machine's System Clock and Time Zone.

Holidays

User-Defined names and periods

Tagholder Settings

New, Configure (No Delete)
Status (Select between Normal, Suspend, Suspend with Alarm)
Allocating of Personal Identification Number (PIN), Fingerprint Templates, Personal Access Codes (PAC), RFID Tags
APB Override (Allow consecutive zone entries)
Reporting option
Start & Stop Dates
Type (Access only, or Access and Time)

Access Group Settings

Actions on Entry
Actions on Exit
Area selection
Start and End dates
Suspend Group
Time pattern selection

Device Time Patterns

User-defined time periods that can be applied to Reader behaviour styles

Access Time Patterns

User-defined time periods that can be applied to Access Groups

Live display of transactions

Column Selection for current session
Filtering for current session

Messages

Configure messages activated by events, etc.

Customisable Reports

Report by Tagholders
Report by Transactions
More reporting functions will become available

Downloadable Client Software Modules

These are for tag and fingerprint enrolment hardware that could be connected via USB to a designated PC:

MDE

Multi Discipline RFID Tag Enroller

BMTA

Biometric Multi discipline Time and Attendance reader. It can enrol RFID Tags, Fingerprint Templates and also accept PIN code entry.

Morpho

The Morpho Brand Biometric scanner for enrolling finger print templates.

Nitgen

The Nitgen Brand Biometric scanner for enrolling finger print templates

System Requirements

Access Portal Server

- Intel Xeon 3.4 GHz
- RAM 4 GB
- Available Disk Space 20 GB
- Screen Resolution 1280 x 800
- SQL Server 2012 Express With Advanced Services
- Internet Information Services (IIS) with ASP.Net Extensions

Minimum Client Requirements

- Intel Core i3 2.4 GHz
- RAM 4 GB
- Available Disk Space 2 GB
- Screen Resolution 1280 x 800

System Software Requirements (Client and Server)

- Windows 7 Professional
- Chrome v31.0 (Recommended) or Firefox v25.0 or Internet Explorer v10
- DotNet Framework v3.5 and v4.0
- Microsoft Visual C++ Redistributable 2005 SP1, 2008 SP1, 2010 SP1, 2012

Warranty Details

This product conforms to our Warranty details on www.impro.net

Related Information

For extra information relating to the product refer to:

SAP301-0-0-GB-XX : Access Portal Quick Start Guide

Ordering Information

Order the Access Portal Pro Software Licence using the following Number:

SAP900-0-0-NN-XX : Access Portal Pro Software Licence

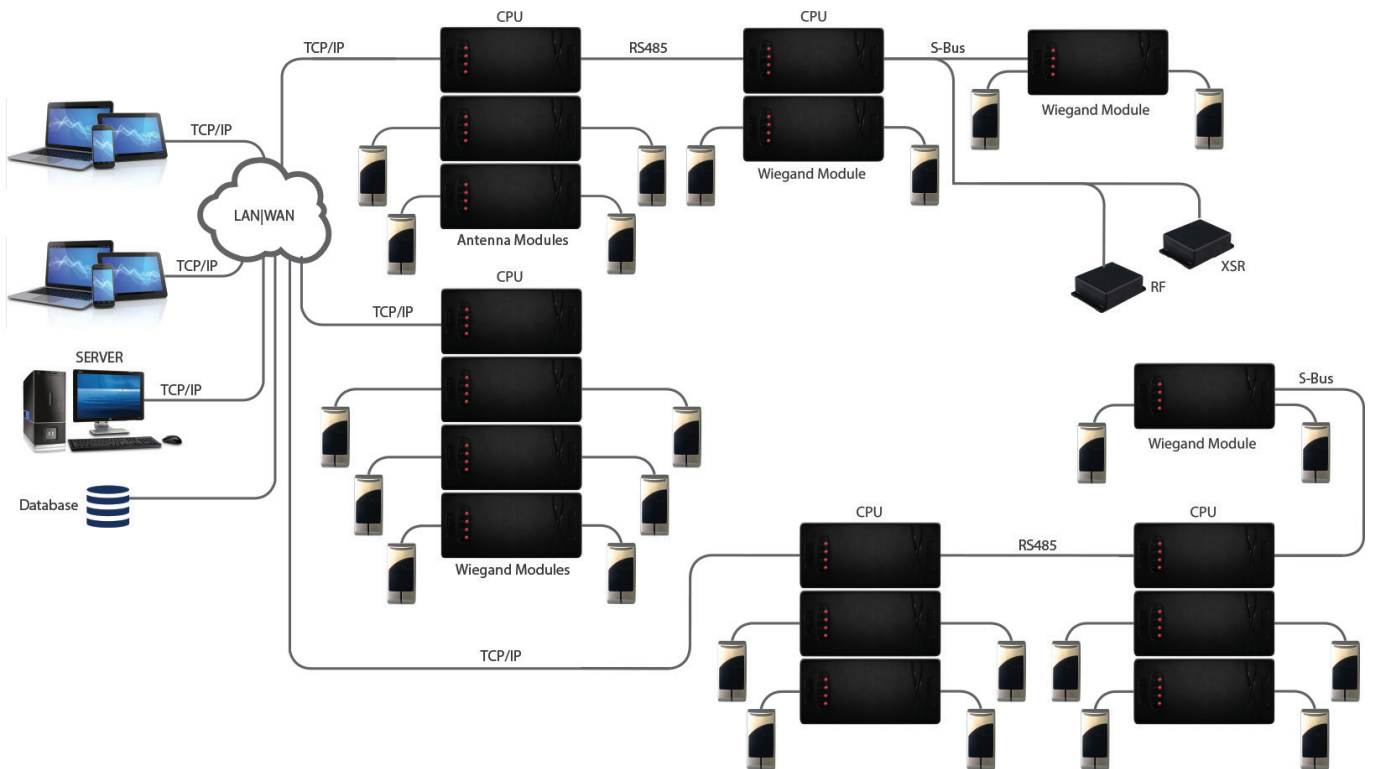


Figure 1: System layout showing the networking flexibility of Access Portal Pro

This Specification is applicable to: Access Portal Pro Version 1.1.42123

SAP350-0-0-GB-00	Issue 1	November 2013	IMPRO\Access Portal\Access Portal Pro Software Manuals\Product Specification Catalogue\Latest Issue\APP-psc-01.docx
------------------	---------	---------------	---